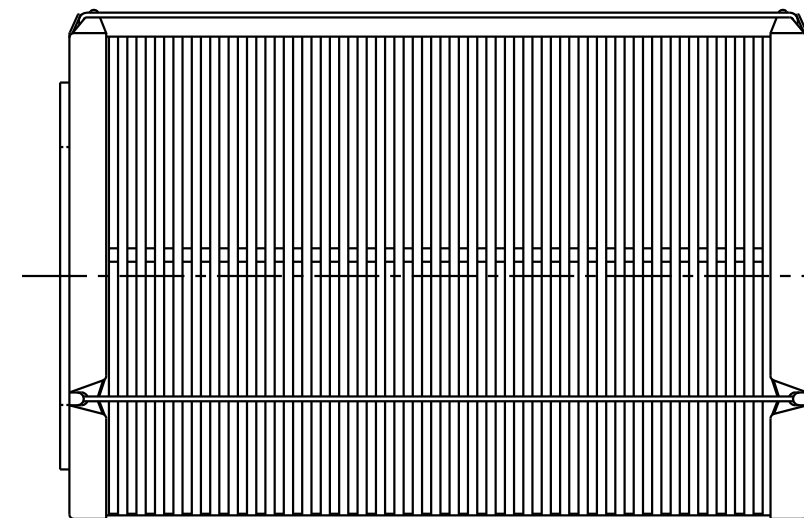
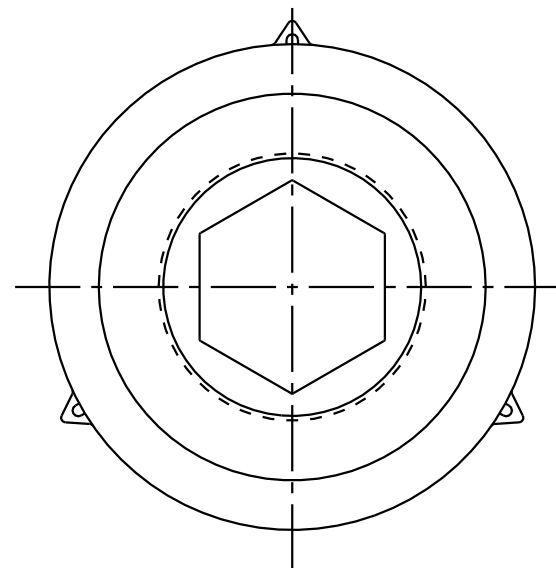


MODEL	OVERALL LENGTH	O.D.	I.D.	SHIPPING WEIGHT PER CARTRIDGE	CARTON DIMENSION PER CARTON OF 4	DRY WEIGHT PER CARTRIDGE	WET WEIGHT PER CARTRIDGE
DD618-05-060000	18.125"	6.594"	2.515"	6 POUNDS	14" x 14" x 20"	4 LBS 11 OZ	5 LBS 5 OZ
DD718-05-060000	16.188"	6.594"	2.515"	5 POUNDS	14" x 14" x 20"	4 LBS 6 OZ	4 LBS 15 OZ
DD630-05-060000	29.625"	6.594"	2.515"	9 POUNDS	14" x 14" x 34"	7 LBS 14 OZ	8 LBS 13 OZ
DD636-05-060000	36.125"	6.594"	2.515"	11 POUNDS	14" x 14" x 37"	9 LBS 8 OZ	10 LBS 12 OZ
DD736-05-060000	32.625"	6.594"	2.515"	10 POUNDS	14" x 14" x 34"	8 LBS 13 OZ	10 LBS 0 OZ
DS618-05-060000	18.125"	6.594"	2.515"	7 POUNDS	14" x 14" x 20"	5 LBS 11 OZ	6 LBS 5 OZ
DS718-05-060000	16.188"	6.594"	2.515"	6 POUNDS	14" x 14" x 20"	4 LBS 2 OZ	5 LBS 11 OZ
DS630-05-060000	29.625"	6.594"	2.515"	10 POUNDS	14" x 14" x 35"	9 LBS 4 OZ	9 LBS 3 OZ
DS636-05-060000	36.125"	6.594"	2.515"	13 POUNDS	14" x 14" x 37"	11 LBS 3 OZ	12 LBS 7 OZ
DS736-05-060000	32.625"	6.594"	2.515"	12 POUNDS	14" x 14" x 34"	10 LBS 5 OZ	11 LBS 8 OZ
DF718-05-060000	16.188"	6.594"	2.515"	6 POUNDS	14" x 14" x 20"	5 LBS 2 OZ	5 LBS 11 OZ

FLUID DESCRIPTION	APPLICATION
AIR FILTER OIL	OIL BATH AIR FILTER OIL
BEARING LUBE	DIESEL LUBE
FUEL OIL	DIESEL, TURBINE
LUBE OIL	ENGINE, COMPRESSOR
QUENCH OIL	HEAT TREAT QUENCHING
ROLLING OIL	FLOOD LUBE FOR ROLLING MILL



NOTE: CARTRIDGE MUST BE USED WITH ADAPTER.



THE HILLIARD CORPORATION  
 100 WEST FOURTH STREET  
 ELMIRA, NEW YORK 14902  
 TELEPHONE: 607-733-7121  
 FAX: 607-737-1108  
 WEB SITE: www.hilliardcorp.com

PHYSICAL CHARACTERISTICS:

1. METAL END CAPS
2. COMPOSITION CORK GASKETS.
3. MAXIMUM OPERATING TEMPERATURE IS 250° F.
4. 100 PSID

THIS DOCUMENT CONTAINS PROPRIETARY INFORMATION AND SUCH INFORMATION MAY NOT BE DISCLOSED TO OTHERS OR USED FOR ANY PURPOSE WITHOUT WRITTEN PERMISSION FROM THE HILLIARD CORP.  
 ©COPYRIGHT 1999  
 THE HILLIARD CORPORATION, ALL RIGHTS RESERVED

UNLESS OTHERWISE SPECIFIED  
 DIMENSIONS ARE IN INCHES  
 UNLESS OTHERWISE SPECIFIED  
 BREAK CORNERS MAX  
 UNLESS OTHERWISE SPECIFIED  
 DIMENSIONS ARE IN INCHES  
 UNLESS OTHERWISE SPECIFIED  
 DIMENSIONS ARE IN INCHES

DRAWN: GJR 5/13/94  
 CHECKED: GJR 5/13/94  
 APPROVED: JJB 5/17/94  
 SCALE: NONE

B	REDRAWN	OPM	17/00	GLF
LTR	DESCRIPTION	BY	DATE	APP
REVISIONS				
TITLE DATA SHEET				
SHEET 1	DD-700-13			
OF 1				