

MicroVantage™ SFH Series

Sanitary Filter Housings

MicroVantage Ultra Premium Filter Series



- Designed for critical applications requiring high purity and durability
- All wetted parts are 316L Stainless Steel electro-polished with standard 25RA internal finish and 32RA external finish.
- In-line single cartridge design
 - Tri-clamp closure for easy cartridge change-outs
 - Ideal for vent applications
- T-style housing design
 - Available for 1 through 21 cartridges
 - Tri-clamp closure for single cartridge housing
 - Swing bolt closures for rugged design and secure sealing
 - Removable bottom seal plate allows ease of cleaning
- Available with 226 or 222 style cartridge connectors
- 1 1/2" TC Gauge Port and 1/2" TC vent and drains are standard
- Optional Sanitary Twist Valve is available for easy sampling of process fluid

Applications

Ultrapure Water	Food & Beverage
Fine Chemicals	Wine/Beer
Electronics	Vent
Pharmaceuticals	DI Water

Specifications

Maximum Operating Pressure

150 psig (10.3 bar) @ 225° F (107° C)

Inlet and Outlet Connections

Inlet /Outlet: Tri- Clamp

Drain Ports: 1/2" Tri-Clamp

Gauge Port with Vent: 1 1/2" Tri-Clamp with
1/2" Tri-Clamp

Materials of Construction

Head and Shell: 316L Stainless Steel

Connections: 316L Stainless Steel

Closure: 316L Stainless Steel

Mounting Legs: 316L Stainless Steel

Gaskets

Silicone

Optional: EPR, Viton, Teflon, Teflon Encapsulated
Silicone and Teflon Encapsulated Viton

Finish

Internal surfaces: 25RA Electro-polished

External surfaces: 32RA Electro-polished

Cartridge Type

222 or 226 cartridges (maximum 2 3/4" OD)

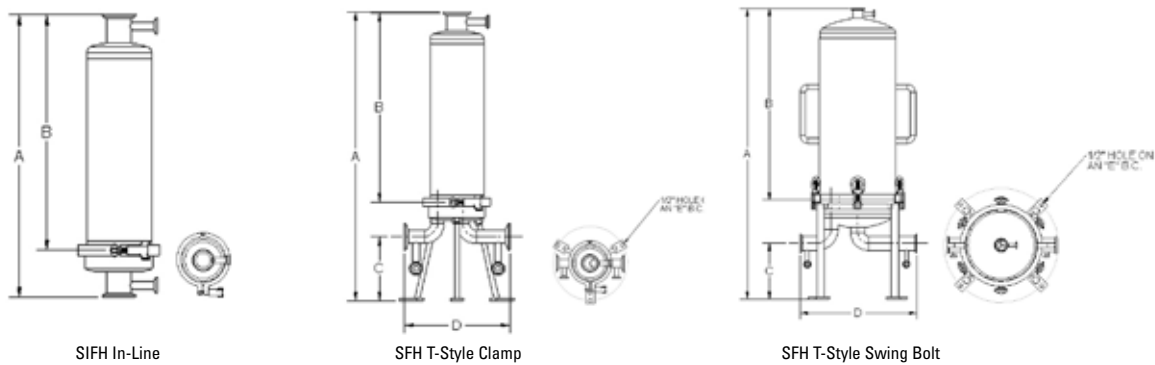
Custom Options

Sanitary Twist Valve's for vent and drains

See Ordering Guide for complete listing

MODEL	QUANTITY (LENGTH) OF CARTRIDGES	INLET/OUTLET	DRAINS	GAUGE PORTS/VENT	MAXIMUM DIAMETER CARTRIDGE	DIMENSIONS				
						A	B	C	D	E
1SIFH5	1 (5")	1.5" TC	1/2" TC	-	2 3/4"	17 7/16" (44.3 cm)	7" (17.8 cm)	-	-	-
1SIFH1	1 (10")	1.5" TC	1/2" TC	-	2 3/4"	21 7/16" (54.5 cm)	11" (27.9 cm)	-	-	-
1SIFH2	1 (20")	1.5" TC	1/2" TC	-	2 3/4"	31 1/4" (79.4 cm)	20 7/8" (53.0 cm)	-	-	-
1SIFH3	1 (30")	1.5" TC	1/2" TC	-	2 3/4"	41 1/8" (104.5 cm)	30 3/4" (78.1 cm)	-	-	-
1SIFH4	1 (40")	1.5" TC	1/2" TC	-	2 3/4"	50 15/16" (129.4 cm)	40 9/16" (103.0 cm)	-	-	-
1SFH5	1 (5")	1" TC	1/2" TC	1.5" TC / 1/2" TC	2 3/4"	17 1/2" (44.5 cm)	10 7/32" (26.0 cm)	4 3/4" (12.1 cm)	7 7/8" (20.0 cm)	8 21/32" (22.0 cm)
1SFH1	1 (10")	1" TC	1/2" TC	1.5" TC / 1/2" TC	2 3/4"	21 1/2" (54.6 cm)	14 7/32" (36.1 cm)	4 3/4" (12.1 cm)	7 7/8" (20.0 cm)	8 21/32" (22.0 cm)
1SFH2	1 (20")	1" TC	1/2" TC	1.5" TC / 1/2" TC	2 3/4"	31 1/2" (80.0 cm)	24 7/32" (61.5 cm)	4 3/4" (12.1 cm)	7 7/8" (20.0 cm)	8 21/32" (22.0 cm)
1SFH3	1 (30")	1" TC	1/2" TC	1.5" TC / 1/2" TC	2 3/4"	41 1/2" (105.4 cm)	34 7/32" (86.9 cm)	4 3/4" (12.1 cm)	7 7/8" (20.0 cm)	8 21/32" (22.0 cm)
1SFH4	1 (40")	1" TC	1/2" TC	1.5" TC / 1/2" TC	2 3/4"	51 1/2" (130.8 cm)	44 7/32" (112.3 cm)	4 3/4" (12.1 cm)	7 7/8" (20.0 cm)	8 21/32" (22.0 cm)
3SFH2	3 (20")	2" TC	1/2" TC	1.5" TC / 1/2" TC	2 3/4"	39 1/2" (100.3 cm)	25 5/8" (65.1 cm)	7 3/8" (18.7 cm)	13 3/8" (34.0 cm)	14 7/16" (36.6 cm)
3SFH3	3 (30")	2" TC	1/2" TC	1.5" TC / 1/2" TC	2 3/4"	49 3/8" (125.4 cm)	31 1/2" (80.0 cm)	7 3/8" (18.7 cm)	13 3/8" (34.0 cm)	14 7/16" (36.6 cm)
3SFH4	3 (40")	2" TC	1/2" TC	1.5" TC / 1/2" TC	2 3/4"	59 3/16" (150.3 cm)	41 3/8" (105.1 cm)	7 3/8" (18.7 cm)	13 3/8" (34.0 cm)	14 7/16" (36.6 cm)
5SFH3	5 (30")	2" TC	1/2" TC	1.5" TC / 1/2" TC	2 3/4"	50 7/16" (128.1 cm)	31 1/2" (80.0 cm)	7 7/8" (20.0 cm)	15 3/4" (40.0 cm)	16 13/16" (42.7 cm)
5SFH4	5 (40")	2" TC	1/2" TC	1.5" TC / 1/2" TC	2 3/4"	60 1/4" (153.0 cm)	41 5/16" (104.9 cm)	7 7/8" (20.0 cm)	15 3/4" (40.0 cm)	16 13/16" (42.7 cm)
7SFH3	7 (30")	2" TC	1/2" TC	1.5" TC / 1/2" TC	2 3/4"	50 3/4" (128.9 cm)	31 1/2" (80.0 cm)	7 7/8" (20.0 cm)	16 9/16" (42.1 cm)	17 3/4" (45.1 cm)
7SFH4	7 (40")	2" TC	1/2" TC	1.5" TC / 1/2" TC	2 3/4"	60 9/16" (153.8 cm)	41 5/16" (104.9 cm)	7 7/8" (20.0 cm)	16 9/16" (42.1 cm)	17 3/4" (45.1 cm)
12SFH3	12 (30")	3" TC	1/2" TC	1.5" TC / 1/2" TC	2 3/4"	49 5/16" (125.2 cm)	34 11/16" (88.1 cm)	6 1/16" (15.4 cm)	18 1/2" (47.0 cm)	19 7/16" (49.3 cm)
12SFH4	12 (40")	3" TC	1/2" TC	1.5" TC / 1/2" TC	2 3/4"	59 5/16" (150.6 cm)	44 11/16" (113.5 cm)	6 1/16" (15.4 cm)	18 1/2" (47.0 cm)	19 7/16" (49.3 cm)

Dimensions



Ordering Guide (Example: 7SFH3-SB226-2TC25-11S)

7SFH	3	-	SB	226	-	2TC	25	-	1	1	S
MODEL & NUMBER OF COLUMNS	LENGTH OF CARTRIDGES	CLOSURE STYLE	CARTRIDGE CONNECTOR	CONNECTION	INTERNAL RA FINISH++	VENT	DRAIN	GASKET			
1SIFH	5 = 5" 1 = 10" 2 = 20" 3 = 30" 4 = 40"	C = Tri Clamp	222 = 222 Style Cartridge 226 = 226 Style Cartridge	1.5TC = 1.5" TC	25	N = None 1 = 1/2" TC ferrule with solid end caps and 1 1/2" TC gauge port	N = None 1 = 1/2" TC ferrules with solid end caps 2 = 1/2" TC ferrules with sanitary twist valves	S = Silicone (standard) E = EPR V = Viton TS = Teflon Encapsulated Silicone TV = Teflon Encapsulated Viton			
1SFH 3SFH 5SFH 7SFH 12SFH 21SFH	5 = 5" 1 = 10" 2 = 20" 3 = 30" 4 = 40"	C = Tri- Clamp ** SB = Swing Bolt	222 = 222 Style Cartridge 226 = 226 Style Cartridge	1TC = 1" TC + 2TC = 2" TC + 3TC = 3" TC + 4TC = 4" TC +	25	2 = 1/2" TC ferrules with sanitary twist valve 1 1/2" TC gauge port					

* 5" length available in 1SIFH and 1SFH models. ** Tri-clamp closure and 1" TC connections only available on 1SFH models.

+ Standard connection sizes are: 2" TC for 3SFH, 5SFH and 7SFH models. 3" TC for 12SFH models and 4" TC for 21SFH models. ++ Contact factory for alternate finishes.

Customization

Housings may be customized to meet your precise requirements. Contact Shelco's technical support staff or your distributor for more information.



Shelco Filters

100 Bradley Street
Middletown, CT 06457 USA

Tel: 800-543-5843 / Fax: 860-854-6120 / E-mail: info@shelco.com

MicroSentry™, MicroVantage™, Shelco Filters® and the Shelco logo are registered trademarks of the Tinny Corporation. Shelco Filters is a division of the Tinny Corporation.