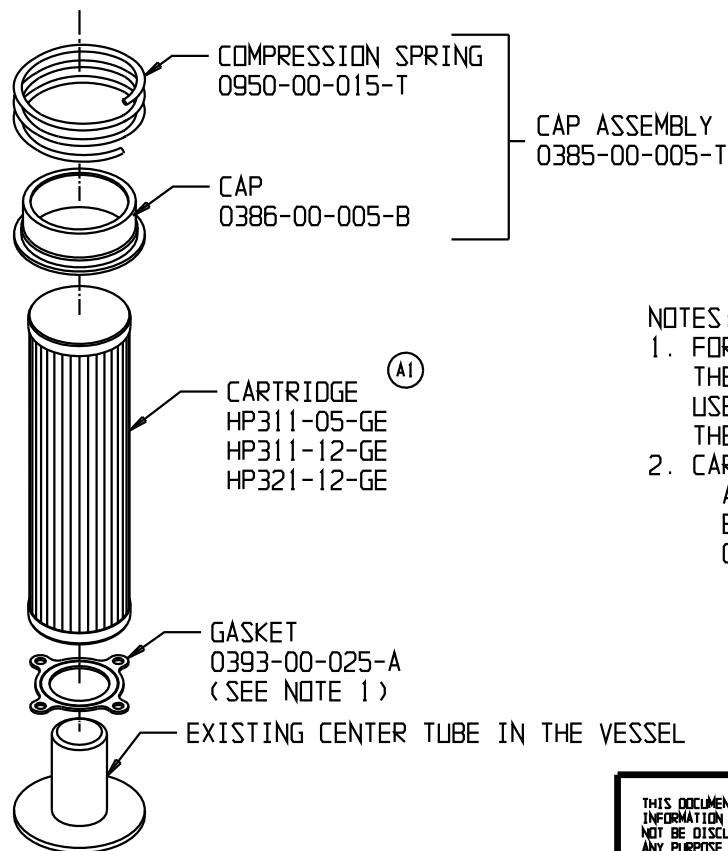
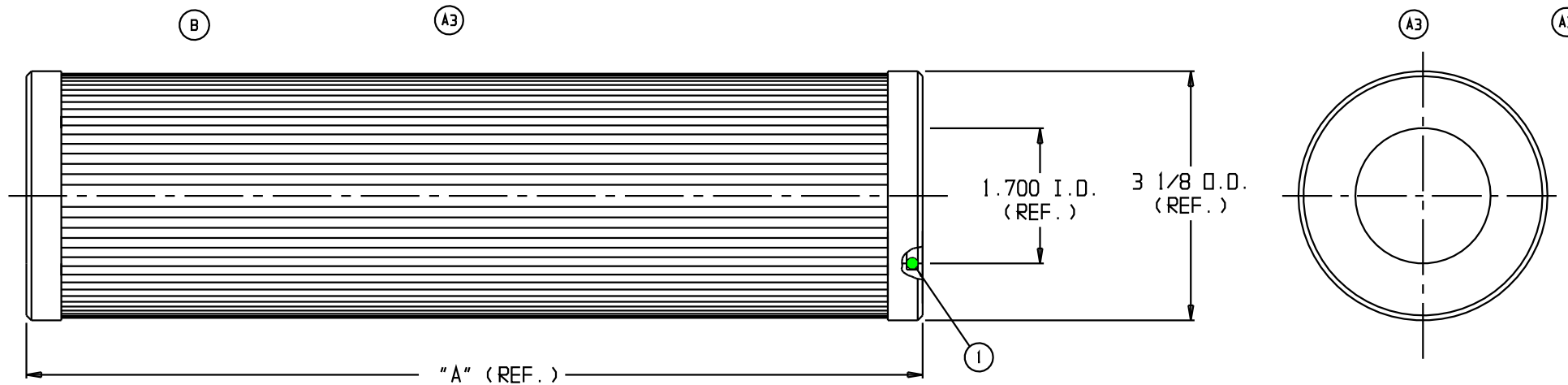


MODEL NUMBER	NUOVO PIGNONE P/N	GENERAL ELECTRIC P/N	"A"	CARTRIDGE PACKAGE	ITEM	PART NUMBER	QTY.	DESCRIPTION	AREA	DIRT HOLDING CAPACITY
HP311-05-GE			11.250	0849-00-011	1	0391-00-007	1	O-RING	SQ. FT.	GRAMS
HP311-12-GE	RFO 37049	342A2581P8; 258A4860P2	11.250	0849-00-007	1	0391-00-007	1	O-RING	4.0 SQ. FT.	25 GRAMS
HP321-12-GE	RFO 39298	258A4860P4	21.250	0849-00-008	1	0391-00-007	1	O-RING	7.5 SQ. FT.	48 GRAMS



NOTES:

- FOR HILCO VESSELS SERIAL NUMBER HF55119 AND BELOW THE "O-RING" MUST BE REMOVED FROM THE CARTRIDGE. USE GASKET 0393-00-025-A AS THE SEAL BETWEEN THE CARTRIDGE AND THE BOTTOM OF THE VESSEL.
- CARTRIDGE AND GASKET PACKAGE INCLUDES:
 - END CAP ASSEMBLY
 - GASKET
 - CARTRIDGE

(A2)

MAXIMUM DIFFERENTIAL PRESSURE 2000 PSI
MAXIMUM TEMPERATURE 250 DEGREES FAHRENHEIT



THE HILLIARD CORPORATION
100 WEST FOURTH STREET
ELMIRA, NEW YORK 14902
TELEPHONE: 607-733-7121
FAX: 607-737-1108
WEB SITE: www.hilliardcorp.com

REV	DESCRIPTION	BY	DATE	APP
B	ADDED NUOVO PIGNONE PART NUMBER	DPM	6/1/99	GLF
A3	ADDED COLUMN WAS 1500 PSI	GF	5/5/95	GLF
A1	P/N WERE HP311-05 HP311-12 & HP321-12	GF	5/5/95	GLF

THIS DOCUMENT CONTAINS PROPRIETARY INFORMATION AND SUCH INFORMATION MAY NOT BE DISCLOSED TO OTHERS OR USED FOR ANY PURPOSE WITHOUT WRITTEN PERMISSION FROM THE HILLIARD CORP.
© COPYRIGHT 1993
THE HILLIARD CORPORATION, ALL RIGHTS RESERVED

UNLESS OTHERWISE SPECIFIED
DIMENSIONS ARE IN INCHES
BREAK CORNERS MAX
UNLESS OTHERWISE SPECIFIED
DIMENSIONS ARE IN MILLIMETERS

BY	DATE
DRAWN: SDM	3/23/93
CHECKED: GLF	3/23/93
APPROVED: JB	5/25/95
SCALE	NONE

REVISIONS	
TITLE	DATA SHEET
SHEET 1 OF 1	DD-700-2