

# SJCH Series

Single Jumbo Cartridge Filter Housings



- Designed for residential, commercial and industrial filter applications
- Accepts single jumbo cartridge for easy installation and replacement
- Heavy-duty 304L or 316L Stainless Steel construction for maximum durability and corrosion resistance
- V-band clamp or swing bolt closures for quick and easy cartridge change outs and secure sealing
- Available in three sizes to support flow rates up to 150 GPM
- Standard with pressure gauges, mounting legs and grounding lug
- 20 micron and above elements may be washed and reused

## Applications

Water	Desalination
Chemicals	Food & Beverage
Electronics	Oil / Gas
Power	Inks / Paints / Coatings
Coolants	Pulp & Paper

## Specifications & Operating Parameters

### Maximum Operating Pressure

150 psig (10.3 bar) @ 300°F (149°C)

### Connections

Inlet /Outlet: Standard - 2" MNPT

*Optional: MNPT, FNPT or BSP fittings; RF Flanges,  
Sanitary Ferrules or Grooved Fittings*

Drain Ports: 1/2" NPT

Vent Ports: 1/4" NPT

### Materials of Construction

Head / Shell / Connections: 304L or 316L Stainless Steel

Closure: Clamp – 304L Stainless Steel

Swing Bolts – Zinc Plated Steel

Vent and Drain Plugs: 304L or 316L Stainless Steel

### Gaskets

Standard: Buna N (FDA Grade),

*Optional: EPR, Silicone,*

*Teflon Encapsulated Silicone, Viton*

### Finish

Poly-coat on exterior surfaces

Optional: Electro-polish, Glass Bead or Passivate

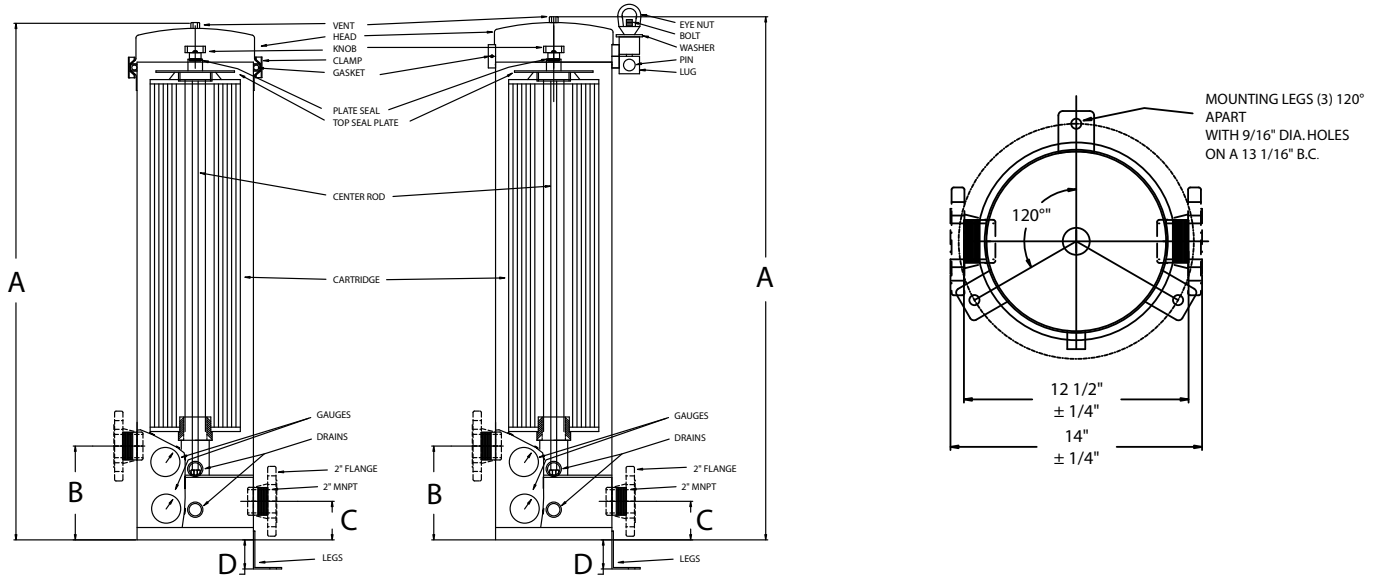
### Custom Options

- Mounting Tabs or Heavy Duty Mounting Legs

*See ordering guide for complete selection of options*

MODEL	RATED FLOW CAPACITY* GPM (LPM)	MAXIMUM DIAMETER CARTRIDGE	CLAMP STYLE	SWING BOLT STYLE			
			<b>A</b>	<b>A</b>	<b>B</b>	<b>C</b>	<b>D</b>
SJCH-40	50 (185.5)	7 3/4"	27" (68.6 cm)	27 1/2" (69.9 cm)	8 1/16" (20.5 cm)	3 3/16" 8.4 cm)	2 1/2" (6.4 cm)
SJCH-90	100 (371.10)	7 3/4"	37" (94.0 cm)	37 1/2" (85.3 cm)	8 1/16" (20.5 cm)	3 3/16" 8.4 cm)	2 1/2" (6.4 cm)
SJCH-170	150 (594.3)	7 3/4"	47" (119.4 cm)	47 1/2" (120.7 cm)	8 1/16" (20.5 cm)	3 3/16" 8.4 cm)	2 1/2" (6.4 cm)

## Dimensions



## Ordering Guide (Example: SJCH170C-316-2MNPT-ML-B)

MODEL	CARTRIDGE SERIES	CLOSURE STYLE	MATERIAL	CONNECTION SIZE	CONNECTION TYPE	OPTIONS	GASKET
SJCH	40 = 40 Series 70 = 70 Series 170 = 170 Series	C = V Band Clamp SB = Swing Bolt	304 = 304L 316 = 316L	2 (standard) 1.5	MNPT = Male Pipe Thread (standard)* FMPT = Female Couplings* BSPT = BSP Tapered* BSPP = BSP Parallel* F = Flange TC = Ferrules GF = Grooved Fittings	ML = Mounting Legs (standard) OL = Heavy Duty Legs GP = Gauge Ports GPA = Gauge ports with Gauges EP = Electropolished GB = Glass Bead P = Passivate	B = Buna N (standard) E = EPR S = Silicone V = Viton TS = Teflon Encapsulated Silicone

\* MNPT fittings are available in 1.5 and 2 inches. FMPT, BSPT and BSPP are only available in 2" connection size.

## Customization

Housings may be customized to meet your precise requirements. Contact Shelco's technical support staff or your distributor for more information.



### Shelco Filters

100 Bradley Street  
Middletown, CT 06457 USA

Tel: 800-543-5843 / Fax: 860-854-6120 / E-mail: [info@shelco.com](mailto:info@shelco.com)

MicroSentry™, MicroVantage™, Shelco Filters® and the Shelco logo are registered trademarks of the Tinny Corporation. Shelco Filters is a division of the Tinny Corporation.